

FAG

**3207-BD-XL-2Z-TVH**

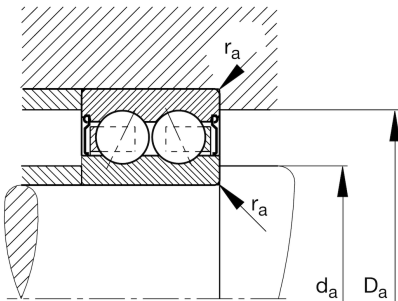
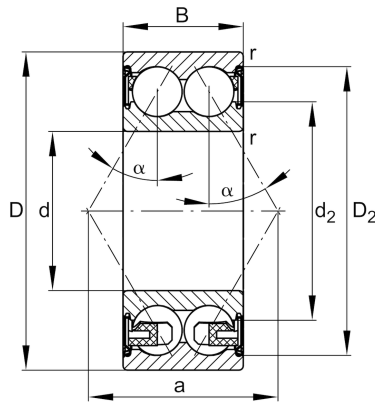
Angular contact ball bearing

Schaeffler ID:  
0637653220000

Angular contact ball bearing 32.-BD-XL-2Z-TVH, double row, X-life, shields, plastic cage

X-life

## Technical information



## Main Dimensions &amp; Performance Data

d	35 mm	Bore diameter
D	72 mm	Outside diameter
B	27 mm	Width
$C_r$	41.000 N	Basic dynamic load rating, radial
$C_{0r}$	30.000 N	Basic static load rating, radial
$C_{ur}$	2.090 N	Fatigue load limit, radial
$n_G$	7.600 1/min	Limiting speed
$n_{gr}$	9.900 1/min	Reference speed
	0,438 kg	Weight

## Dimensions

$r_{min}$	1,1 mm	Minimum chamfer dimension
$D_2$	65,4 mm	Caliber diameter outer ring
$d_2$	46,9 mm	Caliber diameter inner ring
a	42,5 mm	Distance between the apexes of the pressure cones
$\alpha$	30 °	Contact angle

## Mounting dimensions

$d_{a min}$	42 mm	Minimum diameter shaft shoulder
$D_{a max}$	65 mm	Maximum diameter of housing shoulder
$r_{a max}$	1 mm	Maximum fillet radius

## Temperature range

$T_{min}$	-20 °C	Operating temperature min.
$T_{max}$	120 °C	Operating temperature max.